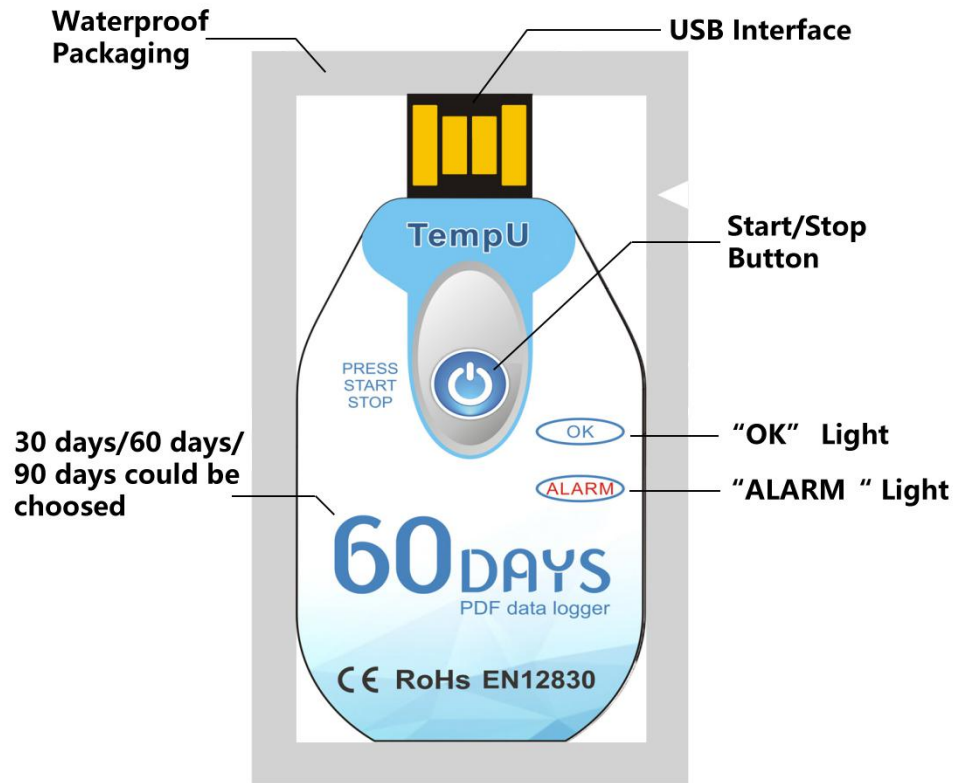


# PDF USB TEMPERATURE DATA LOGGER



## Product Profile:

PDF USB Temperature Data Logger is one kind of TZONE cold chain data logger. It is mainly used for temperature recording during storage and transportation of foodstuff, medicine, chemicals and other products. After record finishing, it can be inserted to computer's USB port and get PDF report directly.

## Operating Instruction:

1. Press and hold the button more than 3s. Then the "OK" light will brighten for 3s, which indicates a successful starting, then you can put the data logger where you want to monitor and record.
2. When logging, the "OK" LED will flash in green every 10s, if there haven't any alarm events happened. Or the "ALARM" LED will flash in red every 10s, if there have any alarm events happened.
3. When the memory is full or press and hold the button for more than 3s, the "ALARM" light will brighten for 3s, which indicates a successful stopping.
4. Tear or cut off the plastic bag and insert the logger into an available USB port on a PC. "OK" light and "ALARM" light will flash in turn when a PDF report is generating. When the PDF report has been generated, the "OK" light will bright until pulling out from the USB port. (Note: If the logger is stopped during the status of start delay, there will be a PDF Report but no data.)

## Specification:

- Use Type: Single-use
- Log Interval: 5mins (30days) / 10mins (60days) / 15mins (90days), optional\*
- Accuracy:  $\pm 0.5^{\circ}\text{C}$  ( $-20^{\circ}\text{C}\sim+40^{\circ}\text{C}$ );  $\pm 1^{\circ}\text{C}$ (others)
- Data Storage Capacity: 10000 records
- Alarm Temperature:  $< 2^{\circ}\text{C}$  or  $> 8^{\circ}\text{C}$  ( $< 35.6^{\circ}\text{F}$  or  $> 46.4^{\circ}\text{F}$ )
- Start Delay: 30mins
- Operating Temperature:  $-30^{\circ}\text{C}\sim+60^{\circ}\text{C}$  ( $22^{\circ}\text{F}\sim 140^{\circ}\text{F}$ )
- Storage: Recommend 20% to 60% RH,  $10^{\circ}\text{C}$  to  $50^{\circ}\text{C}$
- Water Proof Level: IP67
- Dimension: 69mm\*33mm\*5mm
- Standard Compliance: CE, EN12830, GSP
- Communication Interface: USB2.0
- Report Type: PDF
- Software: No need install any software

## Operation Indication:

Status	Action	LED Indication
Inactivated	Short press the button once to judge if the logger is inactivated.	ALARM and OK lights flash once at the same time, means the logger is inactivated.
Activated	The LED will flash every 10s automatically. If "OK" light flashes, the logged temperature has never been out of range. If "ALARM" light flashes, the logged temperature data was out of range before.	
Stopped	No press the button	Both ALARM and OK lights won't flash
	Short press the button	OK light flash (normal temperature) ALARM light flash (temperature data was out of range)

Start/Stop	LED Indication	Note
Before start, press button and hold more than 3s	OK light bright for 3s	Start data logger
After start, press button and hold more than 3s	ALARM light bright for 3s	Stop data logger

## Note:

1. Make sure the data logger has been started before place it into the environment to use.
2. Don't place the data logger directly into the corrosive liquid.
3. Please do not operate our data logger under the bright light, because under the bright light, LED flashing will be difficult to be observed.
4. Please no direct heating or micro-wave heating or charge the battery.
5. Please recycle or dispose the data logger in accordance with local laws and regulations.