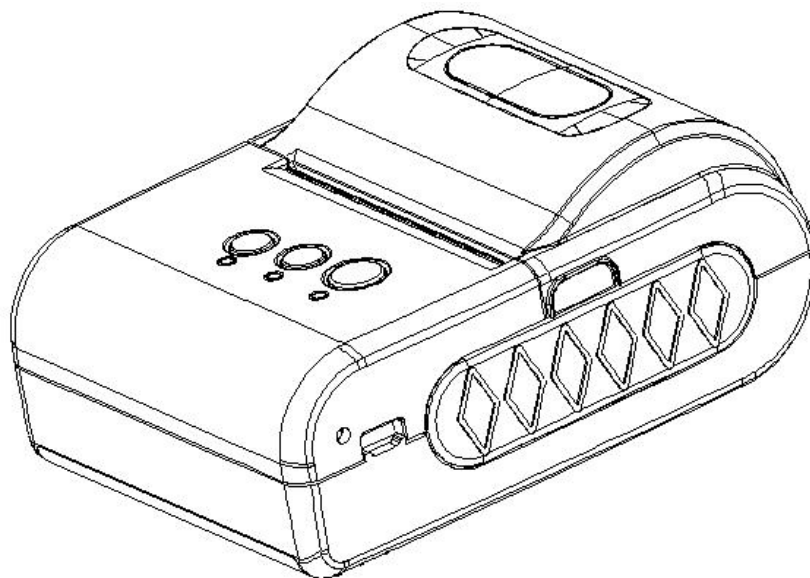


TZ-RMT10

Portable Thermal Printer

User's Manual



(Ver 1.02)

Tzone Digital Technology Co., Ltd

www.tzonedigital.com

Content

NOTICE.....	3
Notice of Safety.....	3
Notice of Using.....	3
Notice of Storing.....	3
Chapter 1 Outer Appearance and Model No.....	4
1.1 Outer Appearance.....	4
1.2 Model No.....	4
Chapter 2 Characteristic Specification.....	5
2.1 Printing Specification.....	5
2.2 Other Specification.....	6
Chapter 3 Operation Method.....	6
3.1 Using Preparation.....	6
3.1.1 Battery Installation.....	6
3.1.2 Paper Roll Installation.....	7
3.2 Basic function usage.....	7
3.2.1 Switch On.....	7
3.2.2 Switch Off.....	7
3.2.3 Self-test.....	7
3.2.4 Paper Feeding.....	7
3.2.5 Hexadecimal Printing.....	8
3.2.6 Printer Parameters Setting.....	8
3.2.7 Battery Charging.....	8
3.3 Printer Setting.....	9
3.4 Printer Interface Connection and Printing.....	9
3.4.1 USB Connection.....	9
3.4.2 Bluetooth Connection.....	9
3.5 Indicator and Buzzer.....	10
Chapter 4 Other Information.....	10
4.1 Command Programming Manual.....	10
4.2 Description of Black Mark Pre-print.....	11
Appendix.....	12

NOTICE

Please read this manual carefully before using the printer!

Notice of Safety

Be sure to use the specified battery and power supply provided by our company. Otherwise it may cause fire, explosion or damage printer, meanwhile, the battery also may be damaged.

Don't put battery into the fire, don't disassemble or heat the battery, don't be short circuit, it may cause fire, explosion or damage printer, meanwhile, the battery also may be damaged.

If the printer would not be used for a long time, be sure to take off the battery, otherwise the battery may leak liquid which is corrosive liquid, if improper operation causes battery leak liquid, and it paste in the skin or clothes, please rinse it by clean water, if paste in the eyes, please rinse them thoroughly by clean water and see a doctor. Please do not open the paper case cover when it is printing or just when printing is finished, do not touch the printer head with hand or body, overheat may cause scald.

Notice of Using

Don't make the printer printing receipt longer than 1m, it might damage the printer.

Water or other liquid should not be spilled into the printer, also the printer should not be appeared in the rain, or else may cause printer damage.

Please do not open the paper case cover when it is printing, otherwise the printer may work improperly. If printer is using USB connection to work, should not unplug the USB cable, or else some printing data may be lost. When printer is using USB connection to work, the distance of communication should be within 10 meters, otherwise the printer doesn't print or prints rubbish codes. Too high (45°C) or too low (5°C) environment temperature and too high (85%) or too low (20%) environment humidity both effect the printing quality. The printer paper roll with poor quality or stored for too long time also may reduce the printing quality even damage the printer. Under the black mark detecting mode, the printer requires that the pre-printed black mark is accordant with the printing rule of black mark (please refer to details in Chapter 4.2), otherwise the black mark can not be detected correctly. Be sure to use up the power of the battery before charge up it, as it can ensure the using life of the battery.

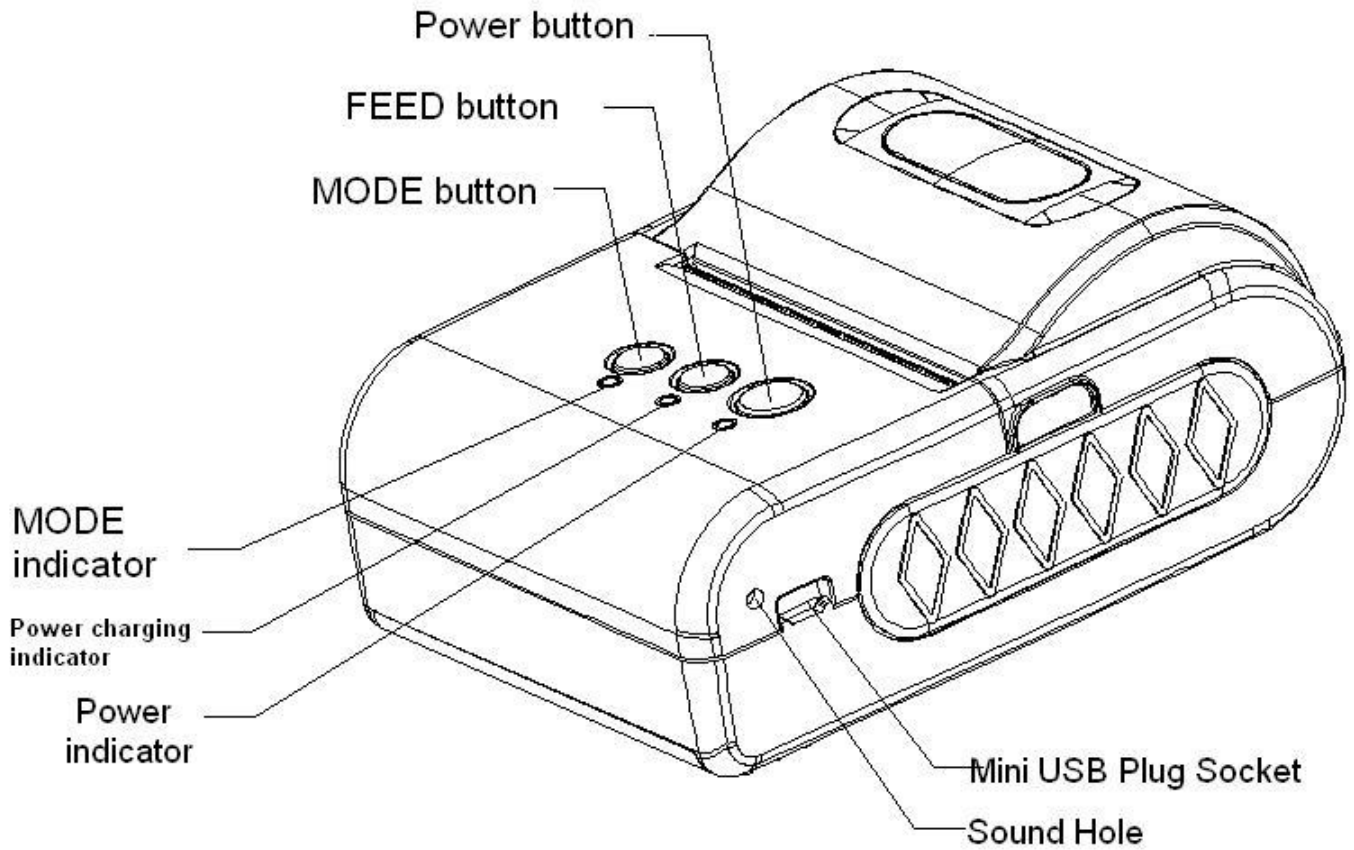
Notice of Storing

The printer should be placed in such an environment that the temperature is between -20°C and 60°C, and the relative humidity is between 5% and 95%. If the printer will be stored for a long time, please be sure to take out the battery, otherwise may damage the battery and printer.

Normal thermal paper receipt can't be kept too long, if you need to keep the receipt for a long period, please choose long-term effective thermal paper. The thermal paper should be keep away from high temperature environment and point-blank sunshine, please store it where is away from light if it have been open.

Chapter 1 Outer Appearance and Model No.

1.1 Outer Appearance



1.2 Model No.

TZ-RMT10 *

BT- USB + Bluetooth interface

Blank – just USB interface

Chapter 2 Characteristic Specification

2.1 Printing Specification

Print	Printing Method	Thermal Line
	Printing Speed	MAX 62mm/s
	Effective Printing Width	48mm
Paper	Paper Width	57.5± 0.5mm
	Paper Supply Method	Drop-in easy paper loading
Printer Mechanism		Fujitsu Brand
Driver		Windows XP/VISTA/7/8, Linux, OPOS
SDK		iOS, Android, Symbian, Windows Mobile/CE, Blackberry
Interface		USB/Bluetooth
Printer Dimension(WxLxH)		102x77x36 mm
Environment	Operating Temp	0-50 °C
	Storage Temp	-20-60°C
	Operating Humidity	10%-80%
	Storage Humidity	10%-90%
Application		Mobile Payment, Logistics, Alcohol Tester, Mobile Financial
Accessories		Battery, Charger, USB Cable, CD Driver, Leather Case and Paper-roll Option: vehicle charger
Inner Package (WxLxH)		155mm x 210mm x 90mm(1kg)
Outer Package (WxLxH)		320mm x 430mm x 280mm(12 units, 12kg)

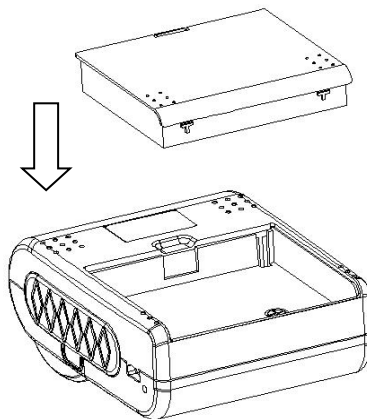
2.2 Other Specification

- **Paper Loading Method:** drop-in easy loading
- **Black Mark Location:** available
- **Paper End Detection:** when paper is out, the MODE Indicator will constant on lighting. Meanwhile, the buzzer will ring twice
- **Printing Control Command:** ESC/POS compatible command set
(refer to<T10 Printer Developer Manual >).
- **Power Supply:** 1500mAh rechargeable polymer lithium battery.
- **Low Power Alarm:** when the battery is low, the power indicator blinks with red color; if the voltage is lower than 6.2V , the printer will turn off power.
- **Sleeping:** the printer will fall after at least 5 seconds without usage into sleep, and can be awoken by pressing 【FEED】 button or sending data to it.
- **Battery Charging:** quick charging, it will be fully charged about 1-3 hours;
- **Battery Duration:** under 25% printing density, at least 200 meters; the standby time is over 5days. (These parameters are just for reference. Long term usage will cause the capacity decline, and can not ensure the time of printing.)

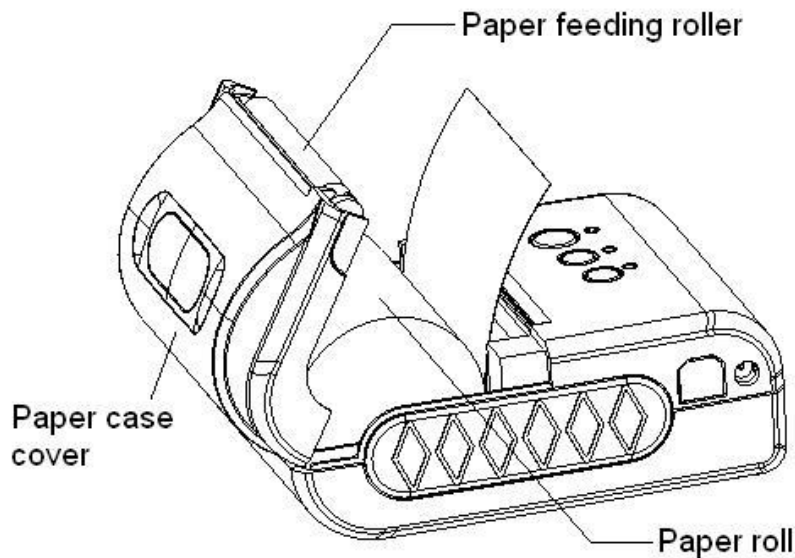
Chapter 3 Operation Method

3.1 Using Preparation

3.1.1 Battery Installation



3.1.2 Paper Roll Installation



3.2 Basic function usage

3.2.1 Switch On

The printer is powered on by pressing the power button one second; the power indicator is on with green color whenever the printer is on.

Notice: when the battery is almost exhausted, the power indicator blinks with red color, in this case, you must charge the battery by using the adaptor. The method of charging the battery, please refer to 3.2.7.

3.2.2 Switch Off

The printer is off after hold down the power button one second. All the indicators are off whenever the printer is off.

3.2.3 Self-test

When the printer is off, turn on the power while holding down the FEED button. After hearing “one low and one high” buzzer rings, the self-test begins.

3.2.4 Paper Feeding

When the printer works normally, hold down 【FEED】 button, the paper feeding begins, and stops when stopped holding the 【FEED】 button. When the printer works in black mark mode, hold down 【FEED】 button, the printer begins to feed paper and stops at the position of black mark. If the paper is not black mark paper, the printer stops automatically after feeds paper for 30cm.

3.2.5 Hexadecimal Printing

The function of hexadecimal printing is to print the information received from host machine by hexadecimal numbers and corresponding characters. It will be convenient to debug application.

Enter hexadecimal printing: When the printer is power off, hold down the【MODE】button, then press the power button. Then loosen the power button and press the 【FEED】 button when you hear 'one low one high' buzzer rings. After that you may loosen the 【MODE】 button and 【FEED】 button. The printer turns into the hexadecimal printing mode and print the presentation.

Quit hexadecimal printing: The way to quit hexadecimal printing mode is switch off the printer or press the 【FEED】 button for three times. The printer will also print the presentation which shows that the printer have quitted hexadecimal printing mode.

3.2.6 Printer Parameters Setting

This function is used to set some simple printing parameters.

Enter parameter setting: When the printer is off, hold down the【MODE】button, then press the power button. Then loosen the power button firstly, and loosen the 【MODE】 button secondly when you hear 'one low and one high 'buzzer rings. The printer turns into the parameters setting mode. Print out the first item which can be set parameters and the current numerical value. Please see details in the appendix as below.

Quit parameter setting: Hold down 【MODE】 button firstly and press 【FEED】 button secondly, then loosen 【MODE】 button and 【FEED】 button. Saving the set parameter and exiting the parameter setting mode. The setting parameters won't be saved if you directly press the 【POWER】 button to turn off the printer.

3.2.7 Battery Charging

The battery will run out after a period of usage. When it nearly runs out, if the printer is used to print data, printer will give a alarm through the battery red indicator flashing; if the printer is sleeping, printer will turn off automatically. At this time, user needs to charge up the battery

The charging method is as following: connecting the adapter to the power socket with 220V, 50HZ, then plug the power charging plug to the power socket of the printer, so the power charging begins. During the course of power charging, the charging indicator 【FEED】 goes green, and 【FEED】 indicator will turn off when the charging is full. It takes about 3 hours to charge up the battery. Using the printer during the course of charging power will make the charging time go longer.

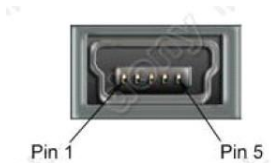
3.3 Printer Setting

Users can set more parameters by using the specified < TIII/T10 Setting Tools > software through computer. The setting includes: Black mark, language、 font、 printing density、 Bluetooth device name and password (only RMT10-BT) etc. The setting method please refer to the < TIII/T10 Setting Tools Software Help>, offered with the software together.

3.4 Printer Interface Connection and Printing

3.4.1 USB Connection

USB interface of TZ-RMT10 is Mini-USB interface. The printer USB belongs to secondary device type (DEVICE), the outer appearance and pins are as below picture:



Pin No.	Function	Remark
1	V Bus	Power +5V
2	Data-	Data-
3	Data+	Data+
4		
5	GND	Ground Connection

3.4.2 Bluetooth Connection

Handheld device, laptop and other information terminal devices with Bluetooth can drive TZ-RMT10BT to print by the Bluetooth interface. TZ-RMT10BT portable printer is compatible with Bluetooth2.0 standard. Power class is CLASS 2, effective communication distance is 10meters. The initial name of the printer is TZ-RMT10 Bluetooth Printer, the initial password is '1234'. Users can change the printer name and password by using< TIII/T10 Setting Tools> software. Please see the details in help file of < TIII/T10 Setting Tools>.

Before working, RMT10BT Portable Thermal Printer need to be pairing with primary device, matching begins with the host device. Usual matching course is as below:

1. Switch on printer;
2. Host device searches for the outer Bluetooth device;
3. If there are other Bluetooth devices, please select RMT10BT Printer;
4. Enter the password '1234';
5. Pairing finished.

Please see details in primary device Bluetooth function instruction for reference.

Notice:

If user doesn't change the device name, during pairing, pls do not switch on other printers, otherwise, it will be difficult to identify which printer is paired successfully.

3.5 Indicator and Buzzer

There are three indicators - **【MODE】**、**【FEED】** and power indicator. **【MODE】** and **【FEED】** indicators are green and power indicator is red or green. The below are the meaning of indicators:

【MODE】 indicator

Constant on green lighting: printer out of paper

Green light flashing (twice): after green light flashes twice, it constants on lighting, this means over-voltage.

Green light flashing (once in 500ms): green light constants 500ms, then turn off 500ms, this means the printing head over-heating.

【FEED】 indicator

Green light constant on: printer is in charging

Green indicator turn off: charging is completed

【POWER】 indicator

Green light constant on: printer is power on and in normal status

Red light flashing: power of battery is low

Green light flashing (once a second): Bluetooth has been connected

There is also a buzzer to indicate various status of the printer. The meanings are as below:

One low one high: power on;

One high one low: power off;

Circulation continuous two lows: printer at error status

Chapter 4 Other Information

4.1 Command Programming Manual

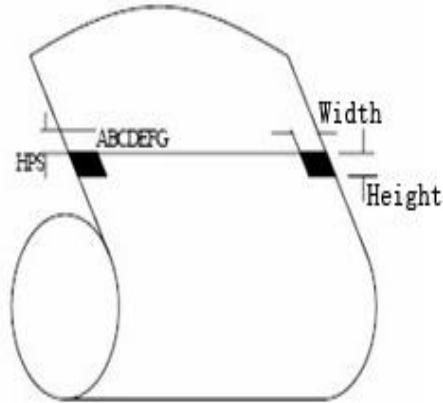
<TIII-T10 printer developing manual> is the technical manual for engineer to develop printer Application. If need, pls contact with our company.

This manual includes the hardware interface (Bluetooth, USB interface), technical description, the technical documentation of printing control command set, and others such as how to print black mark and locate by it.

4.2 Description of Black Mark Pre-print

If user use pre-print black mark to locate the receipt, please be sure to abide by the following black mark pre-print regulation when print the black mark paper, otherwise, it will cause that the printer can not identify the black mark.

The black mark pre-print regulations are as below:



Printing Position: As the picture above, the black mark should be printed on the right or left edge of the printed side of paper.

Width range: $\text{width} \geq 7\text{mm}$

Height range: $4\text{mm} \leq \text{height} \leq 6\text{mm}$

Reflectivity of infrared ray: $< 10\%$ (infrared ray reflectivity of other parts of the black mark paper is $> 65\%$)

HPS: it is the distance between edges of black mark and loading position.

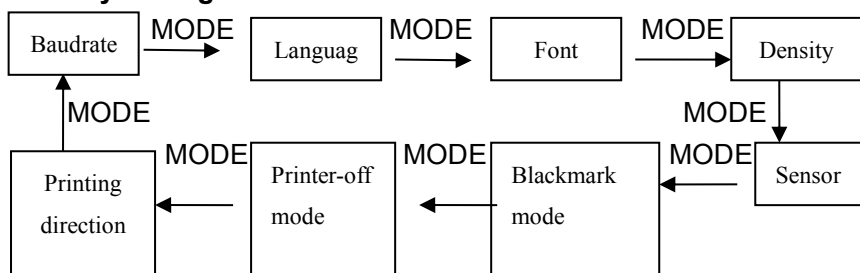
$4.5\text{mm} \leq \text{Hps} \leq 6.5\text{mm}$

Appendix

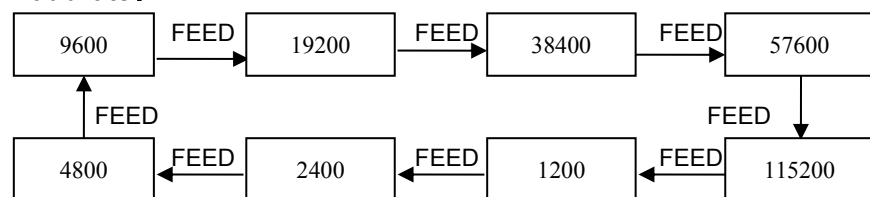
The appendix is usage method to set printer parameters:

Setting instruction: Choose setting item through 【MODE】 button. Press 【MODE】 button once, the setting item will go to the next. item and print the current numberable value of this item. Choose the setting numberable value of setting item through 【FEED】 button. Press 【FEED】 button once, the setting value will go to the next.

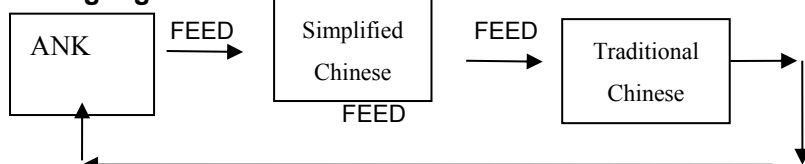
Primary settings:



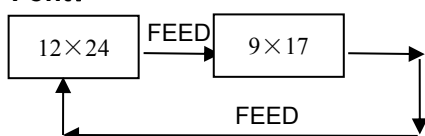
Baudrate:



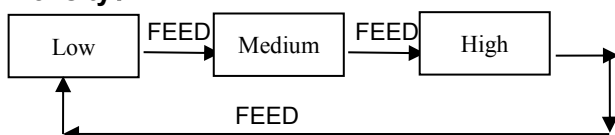
Language:



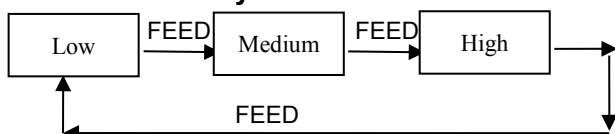
Font:



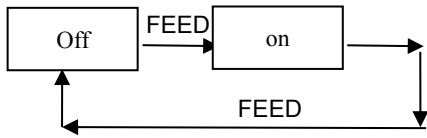
Density:



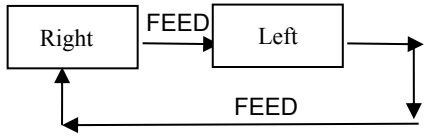
Sensor sensibility:



Black mark mode:



Black mark position:



Manufacture has right to amend the content of the instruction without prior announcement!